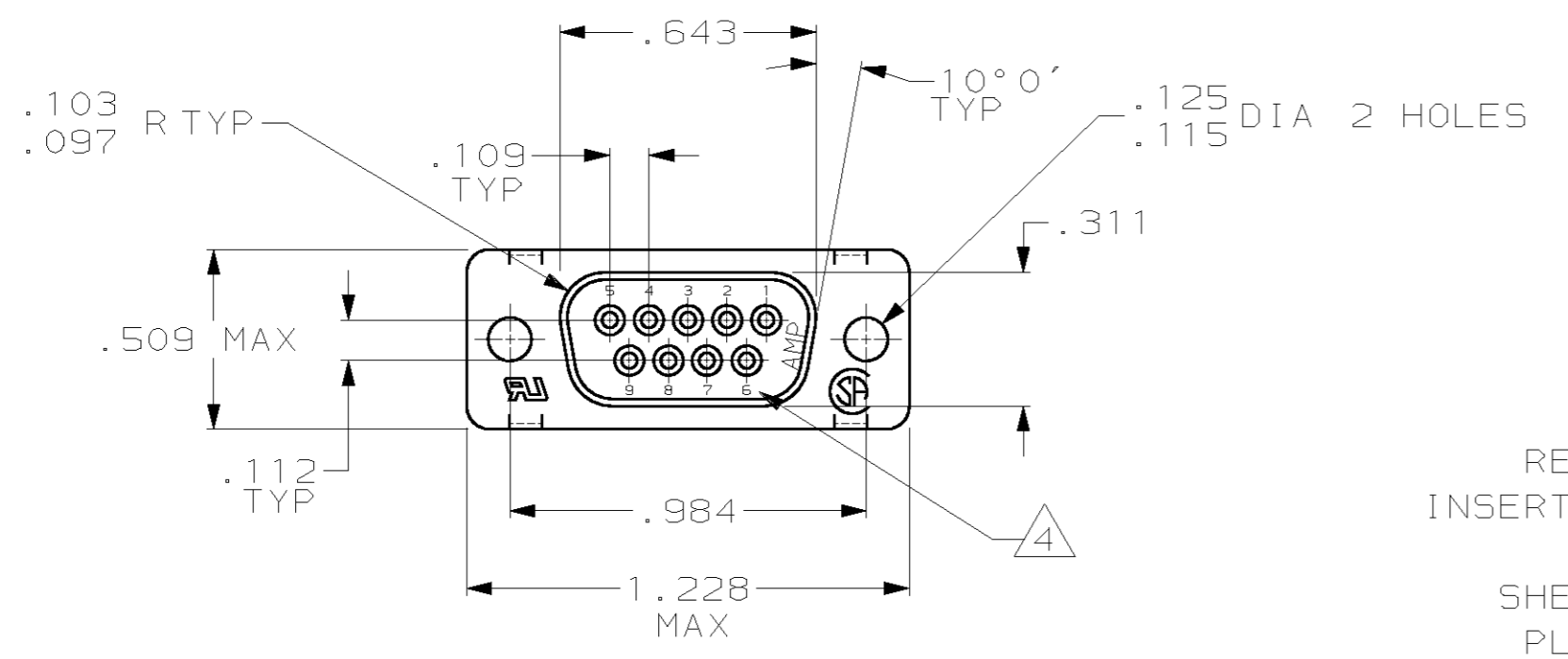
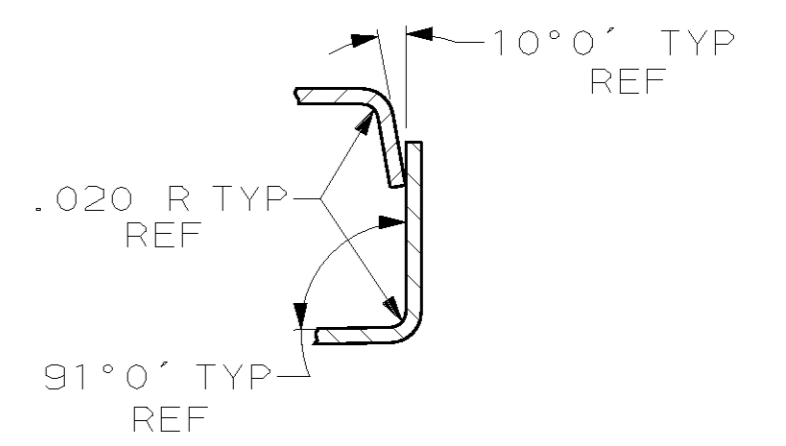


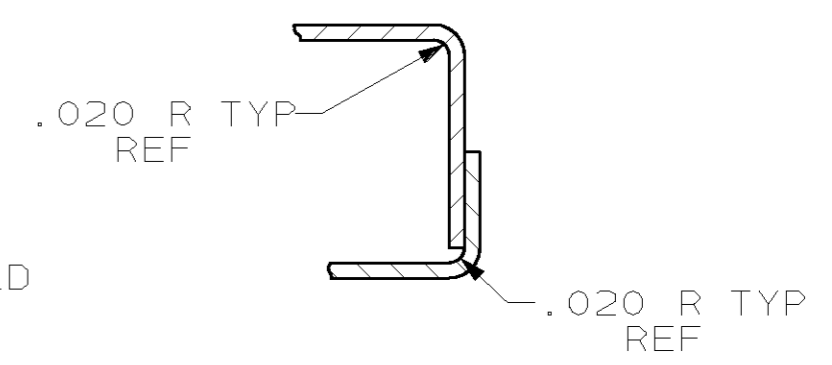
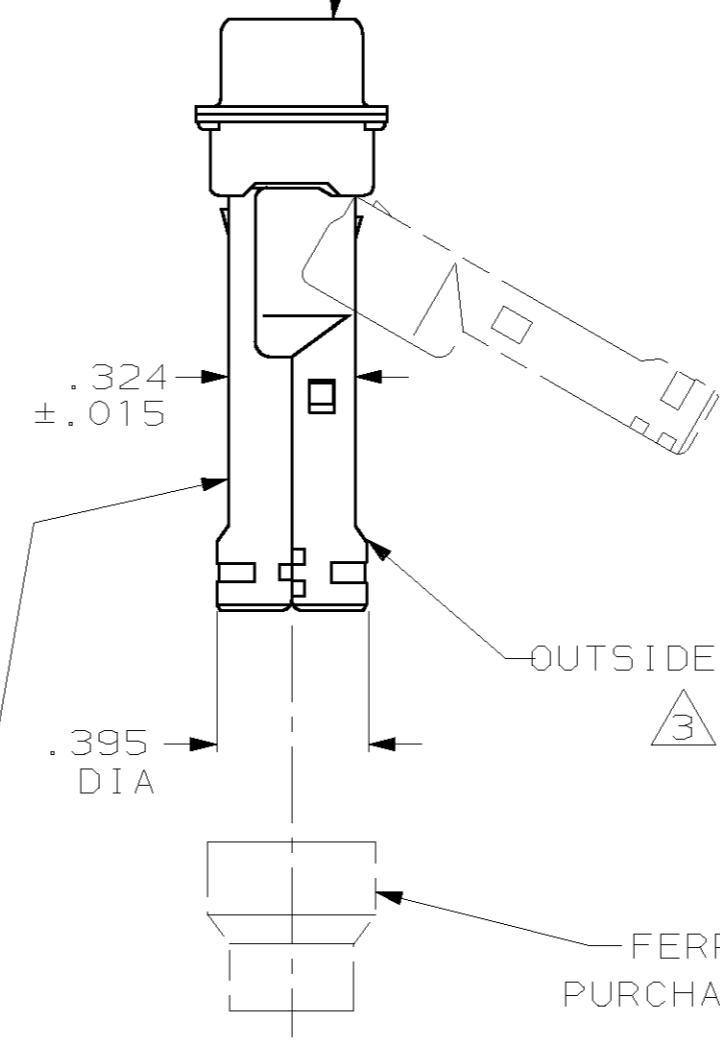
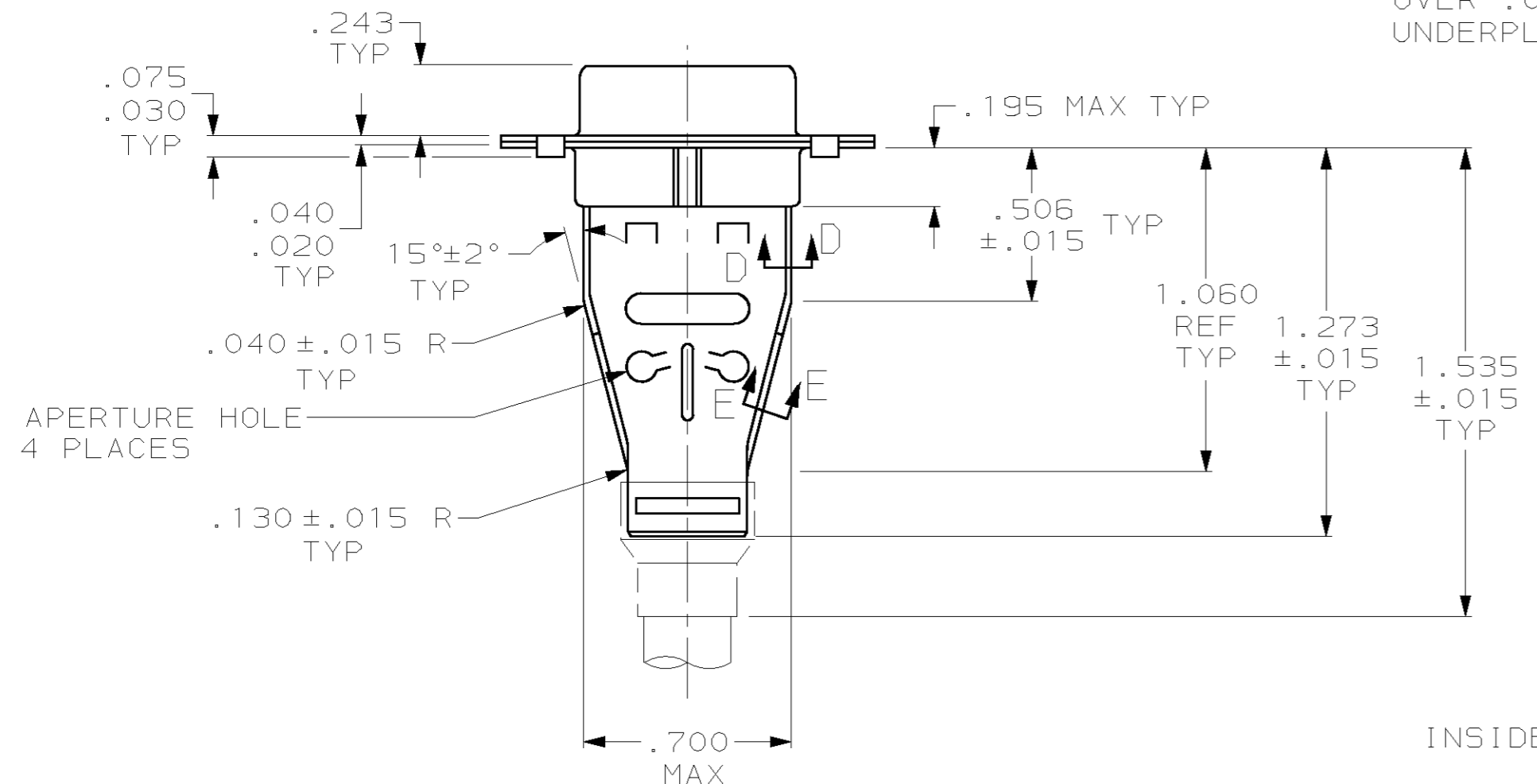
LOC		DIST		REVISIONS			
P	LTR	DESCRIPTION	DATE	DWN	APVD		
GP	00	0	RELEASED PER EC 0513-0196-03	30JUL03	JR	JG	



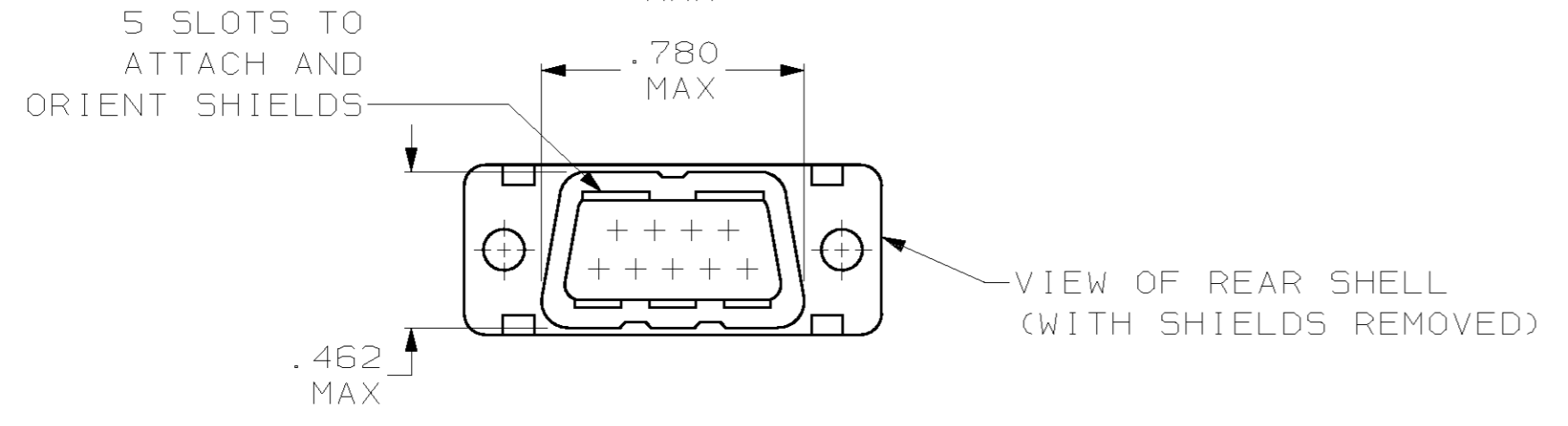
RECEPTACLE CONNECTOR <sup>1</sup>  
 INSERT: BLACK GLASS FILLED NYLON  
 94 V-0 RATED  
 SHELL: STEEL PER ASTM A109  
 PLATED, .000200 MIN TIN  
 OVER .000100 MIN COPPER  
 UNDERPLATE.



SECTION D-D  
 SCALE 4:1



SECTION E-E  
 SCALE 4:1



- <sup>1</sup> RECEPTACLE ACCEPTS SIZE 20 SOCKET CONTACTS (CONTACTS ORDERED SEPARATELY)
- 2 ALL PARTS SHIPPED UNASSEMBLED, EACH PART INDIVIDUALLY BULK PACKED.
- <sup>3</sup> SHIELDS: MATERIAL-.020 THICK STEEL, PER ASTM A109, PLATED .000200 MIN TIN OVER .000100 MIN COPPER UNDERPLATE.
- <sup>4</sup> RAISED CAVITY IDENTIFICATION AND AMP TRADEMARK.

1658646-1  
 PART NUMBER

THIS DRAWING IS A CONTROLLED DOCUMENT.		DWN	J.REITZEL	30JUL03	AMP Incorporated Harrisburg, PA 17105-3608
DIMENSIONS: INCH		CHK	S.BOLASH	30JUL03	
TOLERANCES UNLESS OTHERWISE SPECIFIED:		APVD	M.WALMSLEY	30JUL03	
0 PLC ± 1 PLC ± 2 PLC ± 3 PLC ±.005 4 PLC ± ANGLES ±0°30'		PRODUCT SPEC	108-40030		
MATERIAL SEE CALL OUT <sup>3</sup>		FINISH	SEE CALL OUT <sup>3</sup>		APPLICATION SPEC
		NAME		KIT, RCPT, SHIELDING HARDWARE, SIZE 1, 9 POSITION, AMPLIMITETM HDP-20	
		WEIGHT		-	
		CUSTOMER DRAWING		SIZE	A2
				CAGE CODE	00779
				DRAWING NO	1658646
				RESTRICTED TO	-
				SCALE	2:1
				SHEET	1 OF 1
				REV	0